

B

B

A

A

2

1

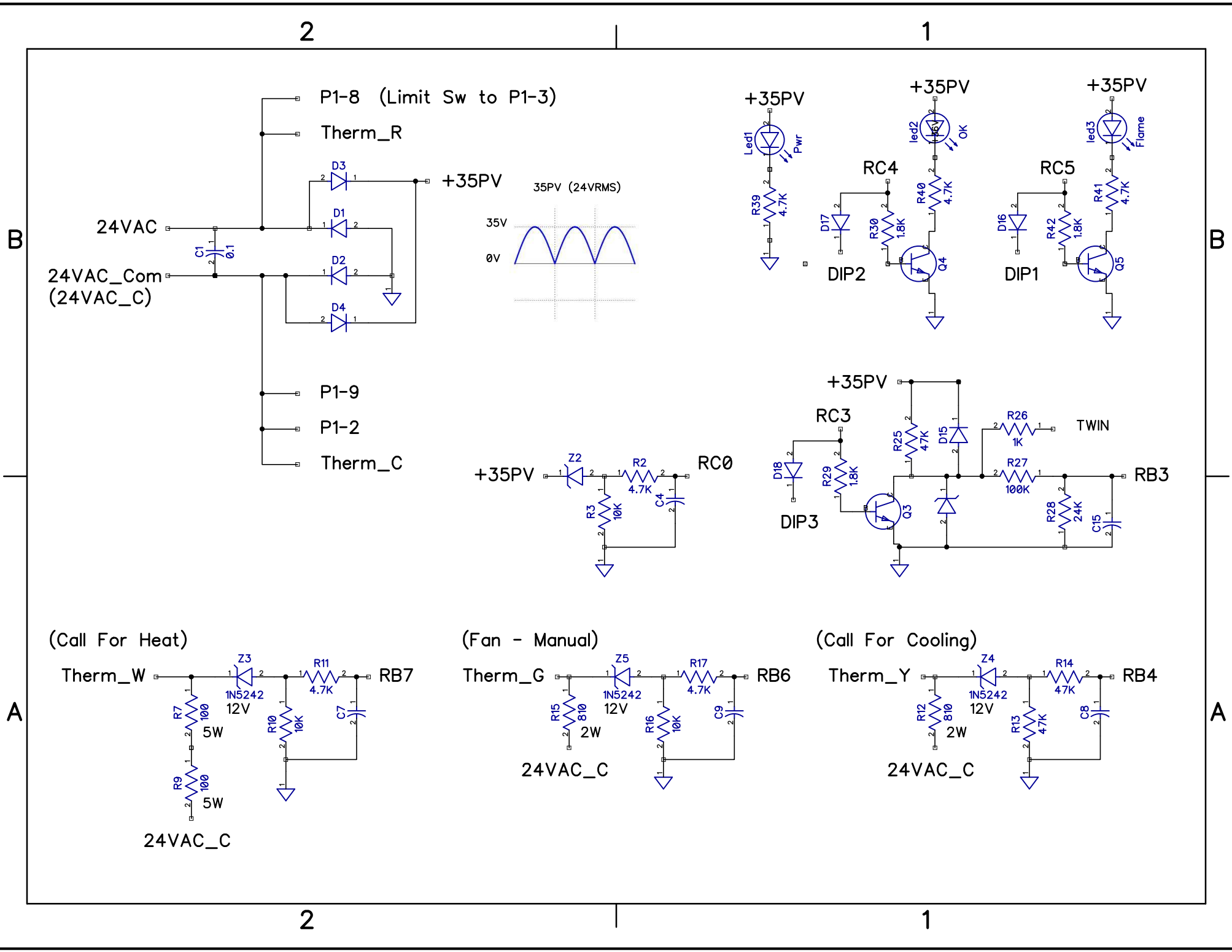
2

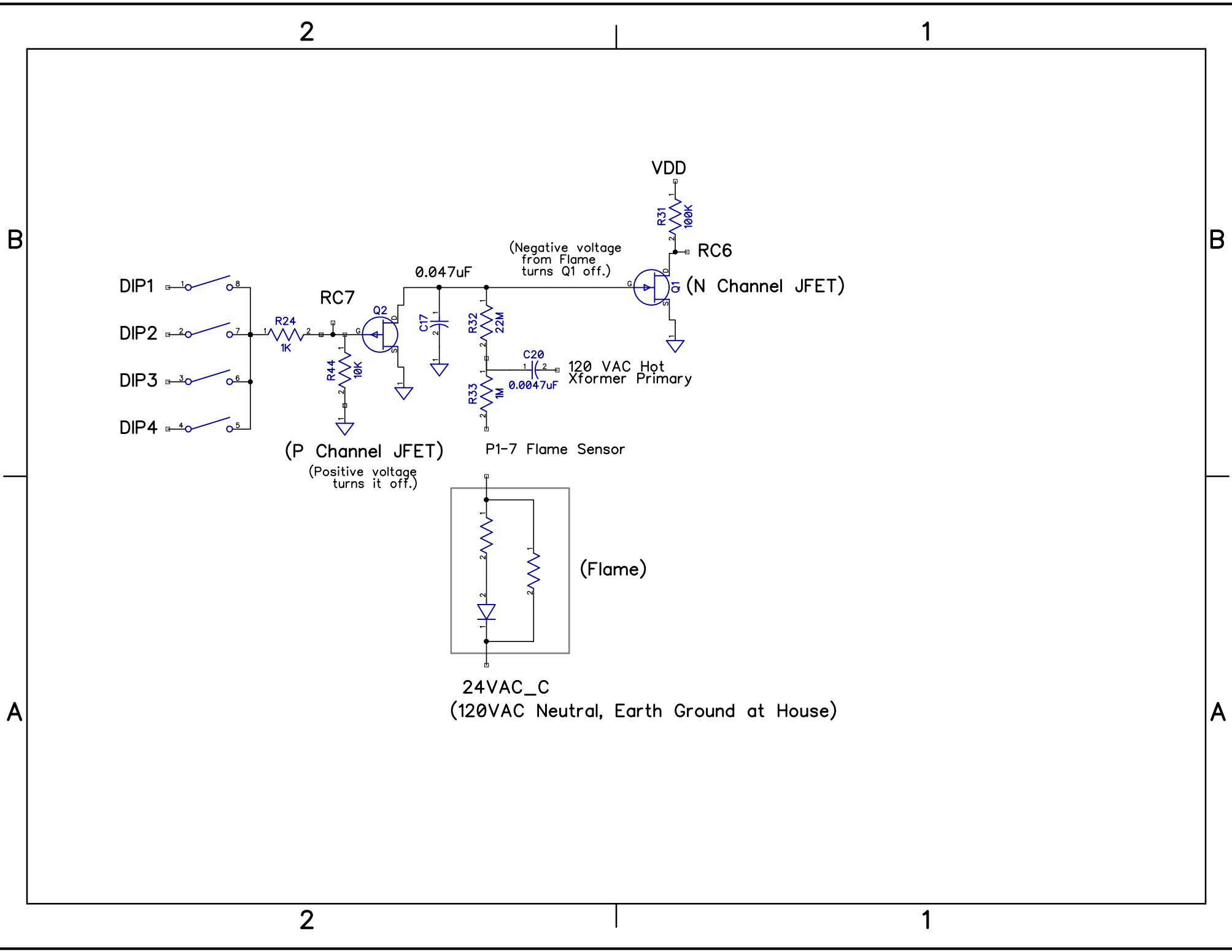
1

MGV (Main Gas Valve)
 1 BL P1-4 (Through Limit Switch)
 2 Y P1-2 (24VAC_C)
 3 G P1-9

Pressure Switch P1-5, P1-6
 Limit Switches P1-3, P1-8 (24VAC)

Ruud 62-24084-01 Furnace Controller
 (Superseded by Ruud 62-24-84-82)
 (ICM288 is advertised as equivalent)
 Drawn by J. Margolin by examining
 an actual board - January 2013



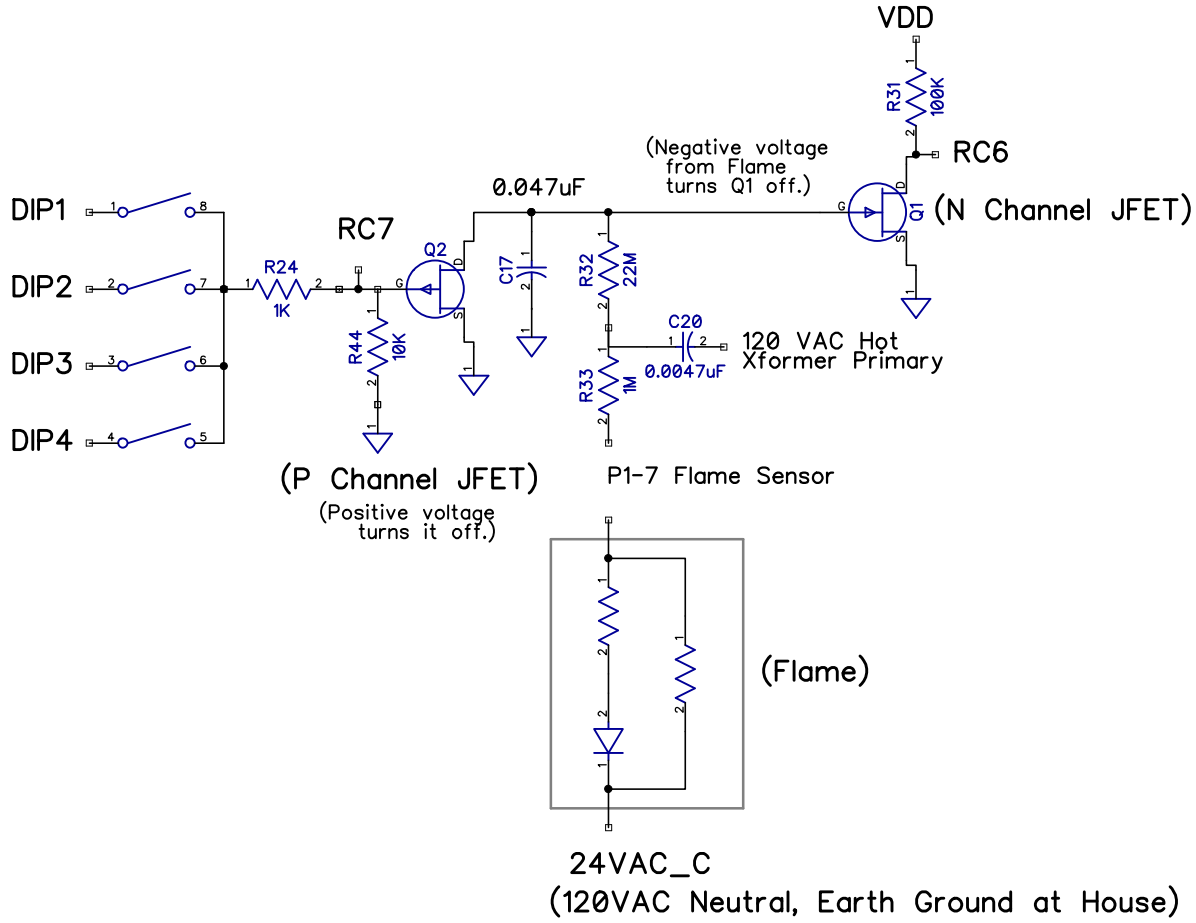


2

1

B

B



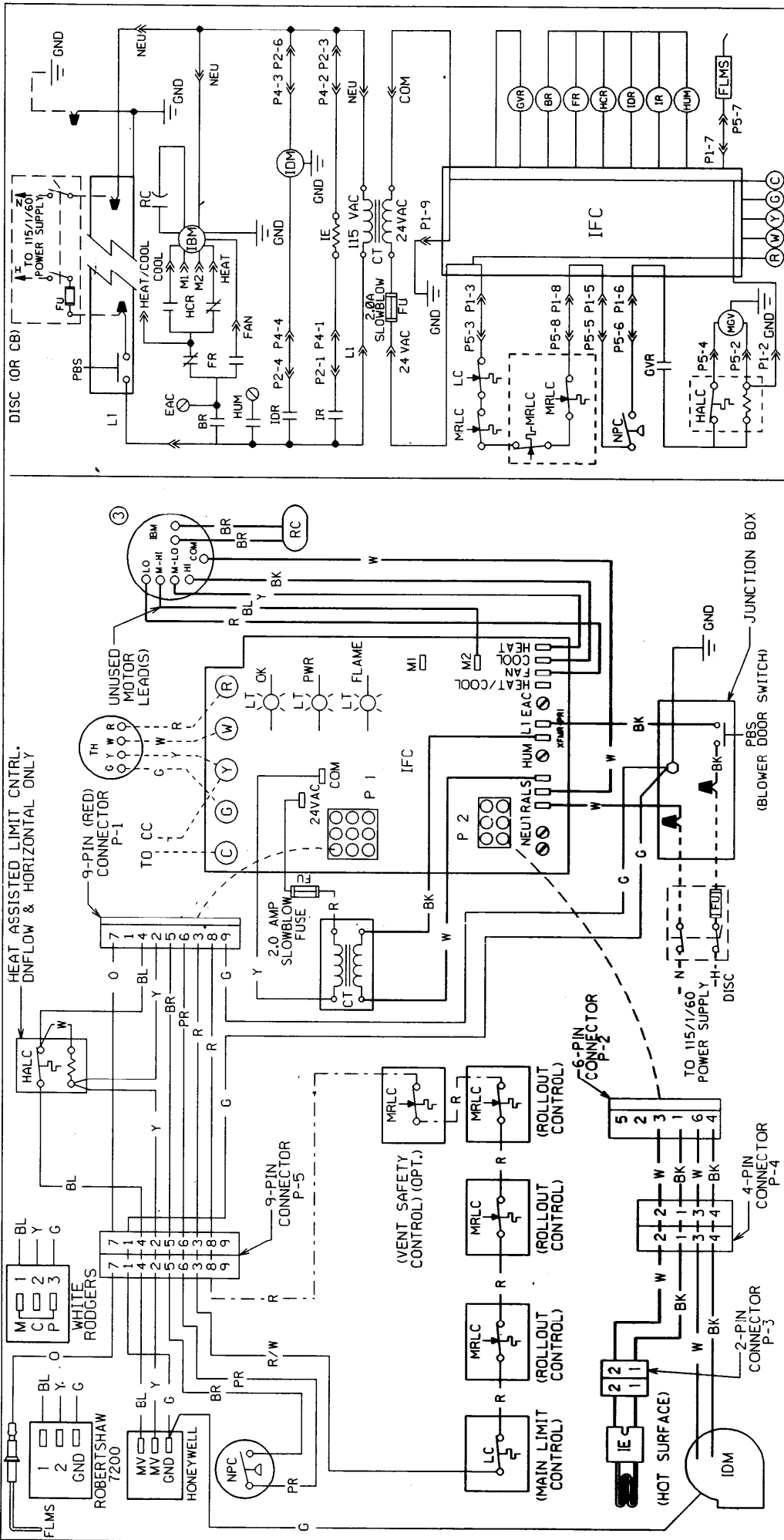
2

1

A

A

FIGURE 43



COMPONENT CODE	
IE	IGNITOR ELEMENT
IFC	INFRARED FURNACE
IR	IGNITION RELAY
LC	LIMIT CONTROL
MGV	MAIN GAS VALVE
MRLC	MAIN RESET LIMIT CNTRL
FR	FAN RELAY
FLMS	FLAME SENSOR
FU	FUSE
GND	GROUND
GVR	GAS VALVE RELAY
HALC	HEAT ASSISTED LIMIT CNTRL
HCR	HEAT/COOL RELAY
HUM	HUMIDIFIER RELAY
IDM	INDUCED BLOWER MOTOR
IR	INDUCED DRAFT MOTOR
IDR	INDUCED DRAFT RELAY

NOTES:	
1.	IF FACTORY WIRING OF HEATING AND COOLING SPEEDS IS NOT DESIRABLE, REFER TO SPEC. SHEET FOR APPROPRIATE SPEEDS.
2.	CONNECT UNUSED MOTOR LEADS TO M1 AND M2.
3.	MODELS WITH 3 SPEED MOTOR BLUE LEAD IS FOR MEDIUM SPEED. NO YELLOW LEAD ON MOTOR.
4.	A. UPFLOW & DOWNFLOW MODELS (1) MRLC B. UPFLOW/HORIZONTAL (3) MRLC(S) C. HORIZONTAL ONLY MODELS (2) MRLC(S)

WIRING INFORMATION	
LINE VOLTAGE	---
-FACTORY STANDARD	---
-FACTORY OPTION	---
-FIELD INSTALLED	---
LOW VOLTAGE	---
-FACTORY STANDARD	---
-FACTORY OPTION	---
-FIELD INSTALLED	---
REPLACEMENT WIRE	---
-MUST BE THE SAME SIZE AND TYPE OF INSULATION AS ORIGINAL (105° C MIN.)	
-CABINET MUST BE PERMANENTLY GROUNDED AND CONFORM TO N.E.C., AND LOCAL CODES.	

WIRE COLOR CODE	
BK	BLACK
BR	BROWN
BL	BLUE
G	GREEN
O	ORANGE
PR	PURPLE
R	RED
W	WHITE
Y	YELLOW

WIRING DIAGRAM	
UPFLOW, DOWNFLOW & HORIZONTAL BLOWER INDUCED DRAFT, GAS FIRED, FORCED AIR FURNACE, SINGLE STAGE HEAT, SINGLE STAGE COOL, ROBERTSHAW, WHITE RODGERS OR HONEYWELL GAS VALVE, HOT SURFACE IGNITION	

DR. BY	APP. BY	DATE	DWG. NO.	REV
DAS	KLS	7-1-94	90-24212-01	01