

2

1

B

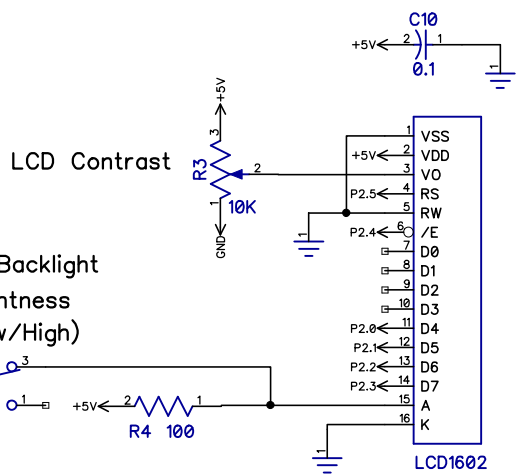
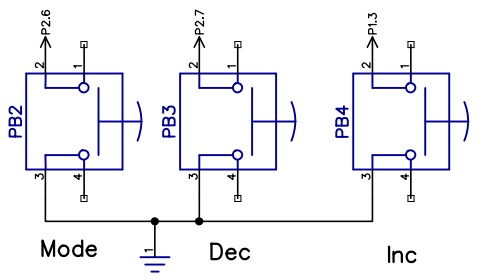
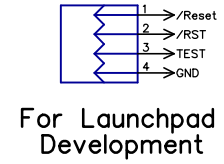
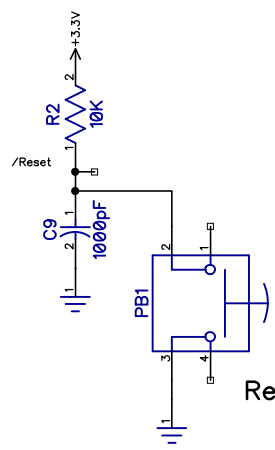
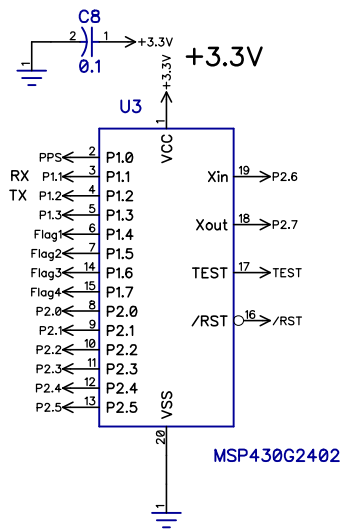
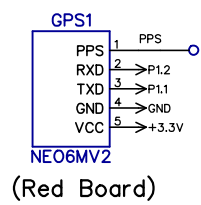
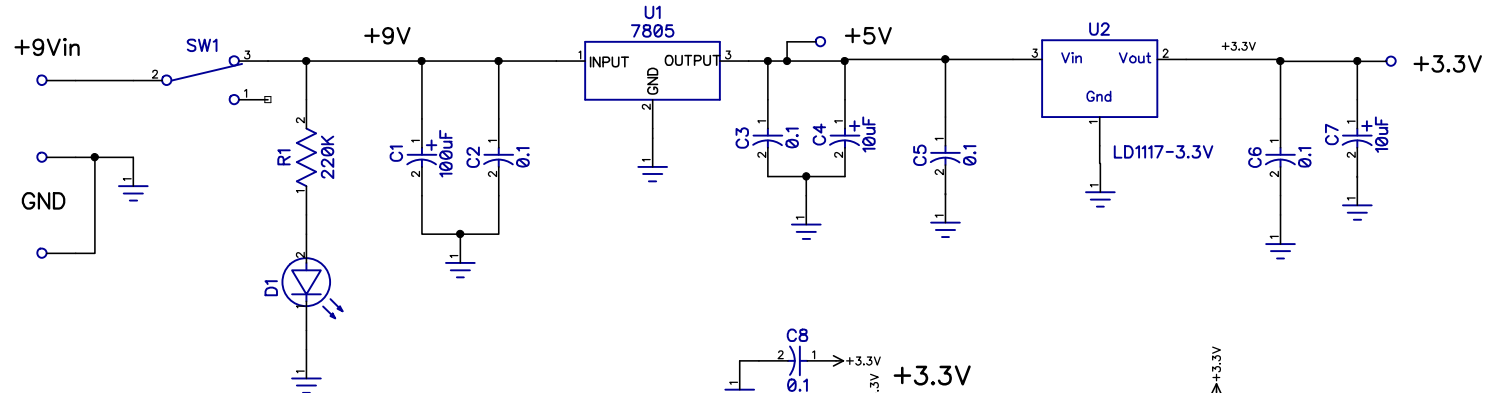
B

A

A

2

1



GPS Clock
Rev A
Jed Margolin
2021
1 of 2

2

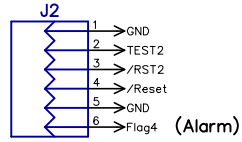
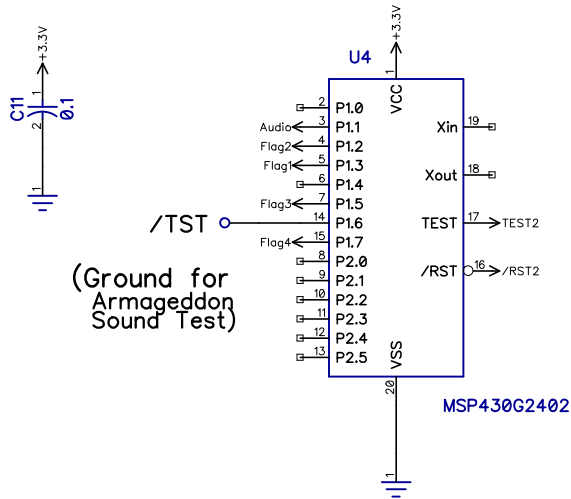
1

B

B

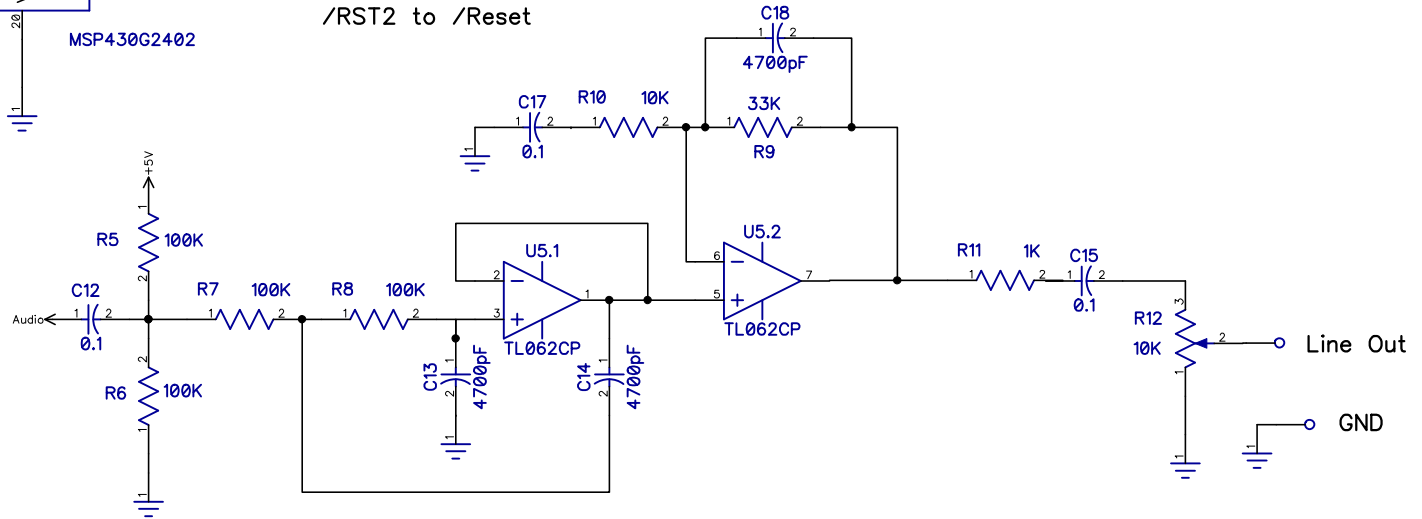
A

A



LaunchPad Port2:
GND, TEST2, /RST2

Standalone:
/RST2 to /Reset



1 KHz Filter
 $f = 1/(2 \cdot \pi \cdot R \cdot C)$

GPS Clock
Rev A
Jed Margolin
2021
2 of 2