

[54] GAME CABINET

[75] Inventor: David M. Cook, San Jose, Calif.

[73] Assignee: Atari, Inc., Sunnyvale, Calif.

[**] Term: 14 Years

[21] Appl. No.: 709,882

[22] Filed: July 29, 1976

[51] Int. Cl. D21-03

[52] U.S. Cl. D34/5 J

[58] Field of Search D34/5 J, 5 L; D19/63; 35/11; 273/101.1, 101.2, 1 E

[56] References Cited

U.S. PATENT DOCUMENTS

D. 243,624	3/1977	Takaichi	D34/5 J
D. 243,625	3/1977	Sauter	D34/5 J

Primary Examiner—Melvin B. Feifer

Attorney, Agent, or Firm—Paul D. Flehr

[57] CLAIM

The ornamental design for a game cabinet, as shown and described.

DESCRIPTION

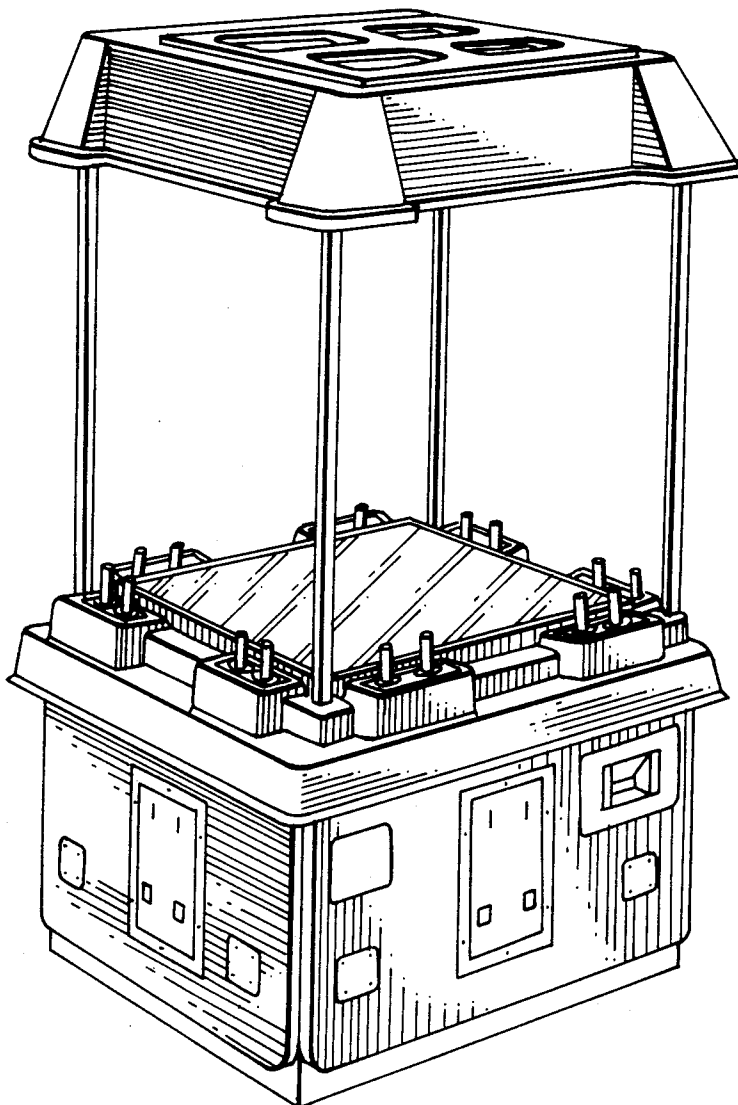
FIG. 1 is a perspective view of a game cabinet employing my new design.

FIG. 2 is a top plan view of the game cabinet shown in FIG. 1 but only of that portion above the section lines 3-3 of FIG. 5.

FIG. 3 is a plan sectional view of the game cabinet shown in FIG. 1 taken along the lines 3-3 of FIG. 5. FIG. 4 is a front elevational view of the game cabinet shown in FIG. 1.

FIG. 5 is a right side elevational view of the game cabinet shown in FIG. 1.

The bottom of the game cabinet is a generally planar surface. The back and left side are identical to the right side.



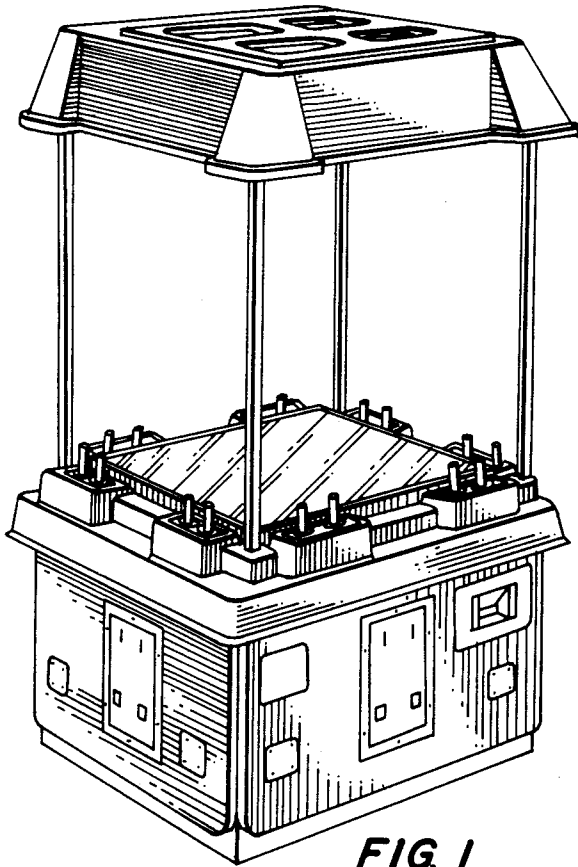


FIG. 1

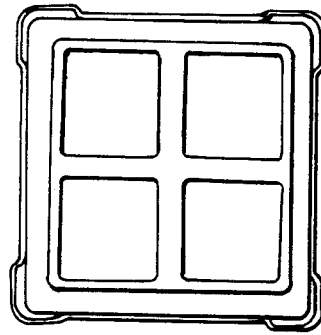


FIG. 2

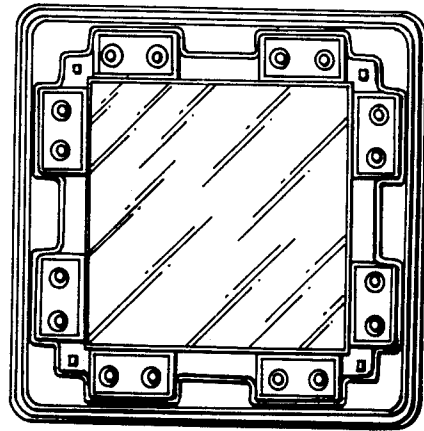


FIG. 3

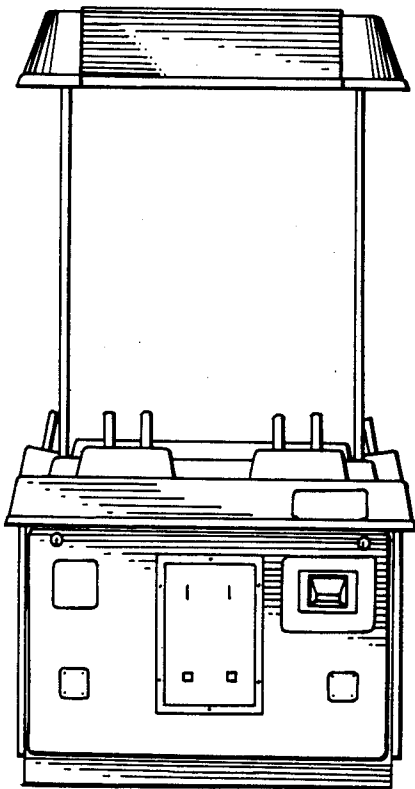


FIG. 4

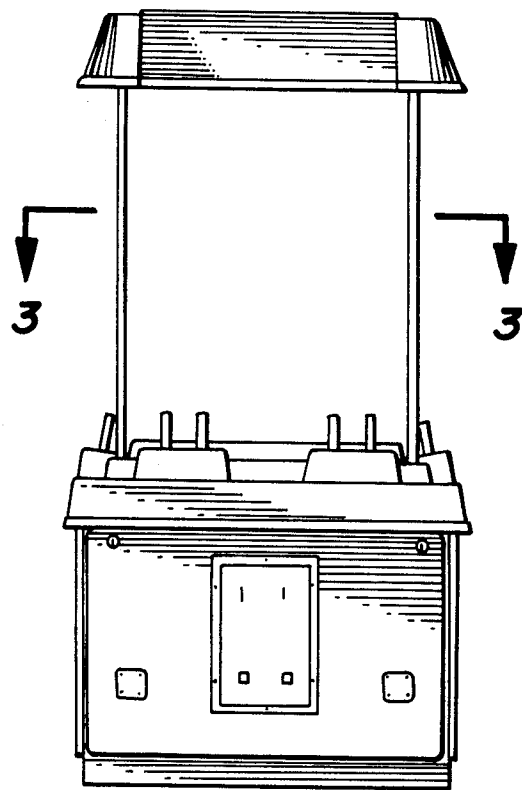


FIG. 5