

- [54] **HAND HELD CONTROL UNIT**
- [75] Inventor: **Randy K. Hall**, Santa Clara, Calif.
- [73] Assignee: **Atari, Inc.**, Sunnyvale, Calif.
- [\*\*] Term: **14 Years**
- [21] Appl. No.: **734,981**
- [22] Filed: **Oct. 22, 1976**

- [51] Int. Cl. .... **D13-03**
- [52] U.S. Cl. .... **D13/38**
- [58] Field of Search ..... **D13/32-38,**  
**D13/40, 41; 200/157, 159 R, 293, 294, 295, 297,**  
**302, 303, 153 C, 86.5**

[56] **References Cited**

**U.S. PATENT DOCUMENTS**

2,390,846	12/1945	Obszarny .....	200/157
3,126,467	3/1964	Stevens .....	200/302
3,472,983	10/1969	Satkunas et al. ....	200/302 X

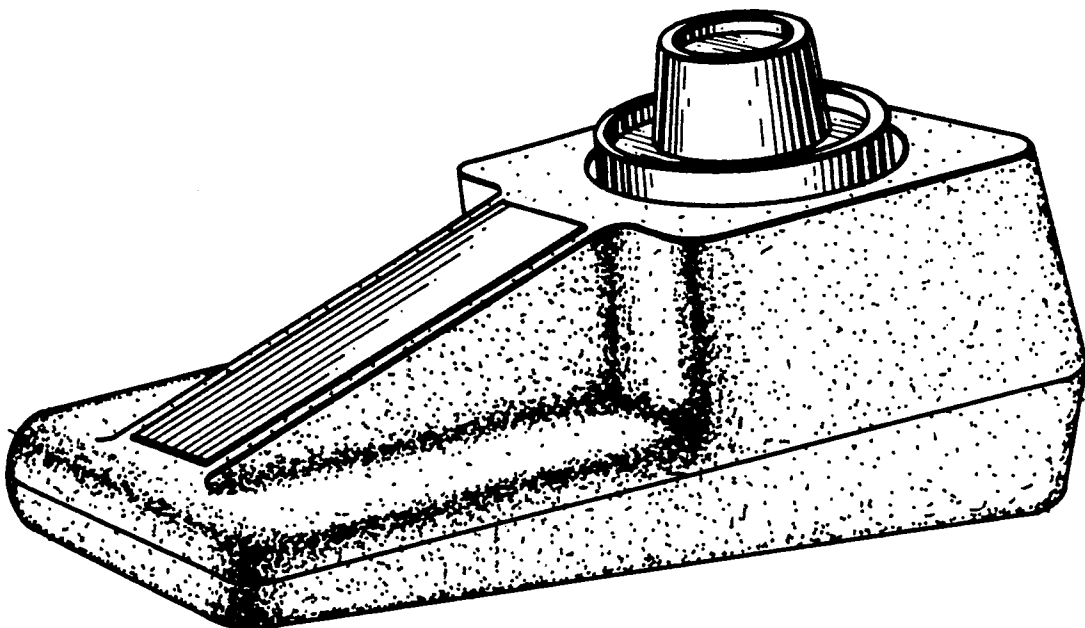
*Primary Examiner*—Susan J. Lucas  
*Attorney, Agent, or Firm*—Paul D. Flehr

[57] **CLAIM**

The ornamental design for a hand held control unit, as shown and described.

**DESCRIPTION**

FIG. 1 is a perspective view of a hand held control unit employing my new design;  
 FIG. 2 is a top plan view of the hand held control unit shown in FIG. 1;  
 FIG. 3 is a bottom plan view of the hand held control unit shown in FIG. 1;  
 FIG. 4 is a front elevational view of the hand held control unit shown in FIG. 1;  
 FIG. 5 is a right side elevational view of the hand held control unit shown in FIG. 1;  
 FIG. 6 is a rear elevational view of the hand held control unit shown in FIG. 1.  
 The left side of the hand held control unit is a mirror image of the right side.



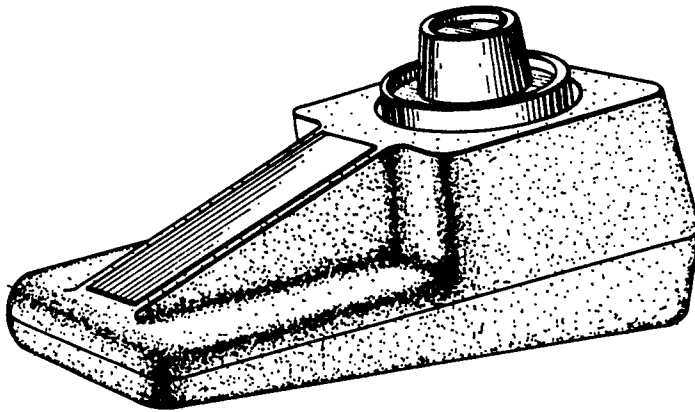


FIG. 1

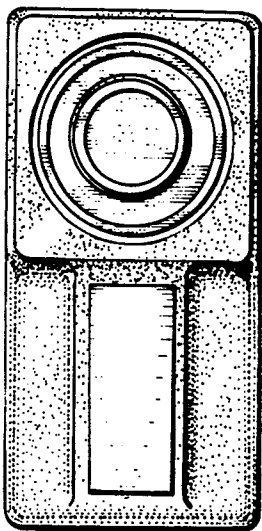


FIG. 2

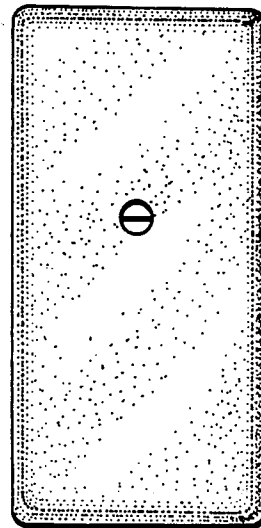


FIG. 3

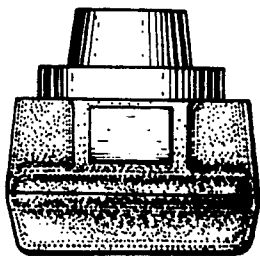


FIG. 4

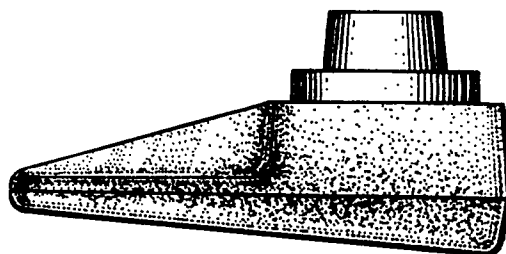


FIG. 5

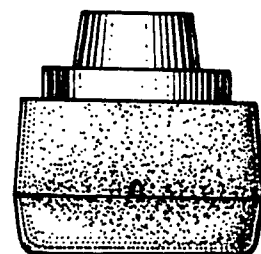


FIG. 6