

[54] VIDEO GAME CONTROL UNIT

[75] Inventors: **Kevin P. McKinsey**, Soquel; **Gerald R. Aamoth**, Santa Clara, both of Calif.

[73] Assignee: **Atari, Inc.**, Sunnyvale, Calif.

[**] Term: **14 Years**

[21] Appl. No.: **806,318**

[22] Filed: **Jun. 13, 1977**

[51] Int. Cl. **D13-03**

[52] U.S. Cl. **D13/12**

[58] Field of Search **D34/5 R, 5 N, 5 J; 273/DIG. 28, 85 G, 86 B; D13/11, 12, 32, 37**

[56] **References Cited**

U.S. PATENT DOCUMENTS

4,091,234 5/1978 Bristow 273/DIG. 28

OTHER PUBLICATIONS

Merchandising, June 1977, p. 49, lower left, Control Stick.

Primary Examiner—Melvin B. Feifer
Attorney, Agent, or Firm—Townsend & Townsend

[57] **CLAIM**

The ornamental design for a video game control unit, as shown and described.

DESCRIPTION

FIG. 1 is a perspective view of a video game control unit employing our new design.

FIG. 2 is a top plan view of the video game control unit shown in FIG. 1.

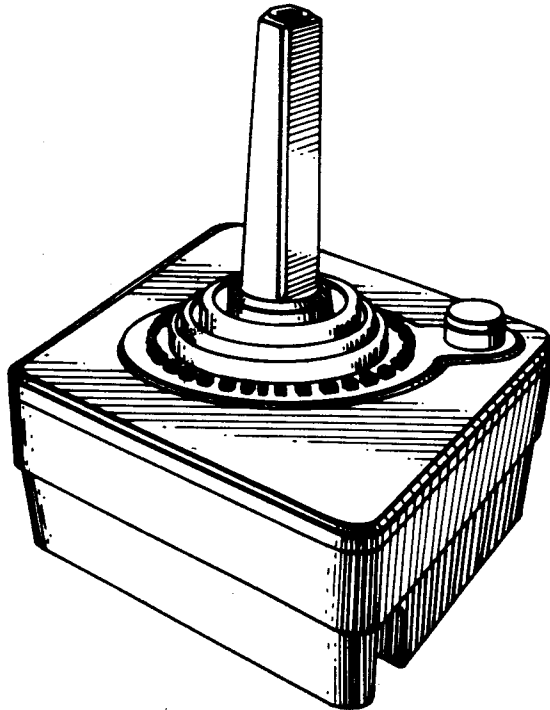
FIG. 3 is a front elevational view of the video game control unit shown in FIG. 1.

FIG. 4 is a right side elevational view of the video game control unit shown in FIG. 1.

FIG. 5 is a left side elevational view of the video control unit shown in FIG. 1.

FIG. 6 is a rear elevational view of the video game control unit shown in FIG. 1.

FIG. 7 is a bottom plan view of the video game control unit shown in FIG. 1.



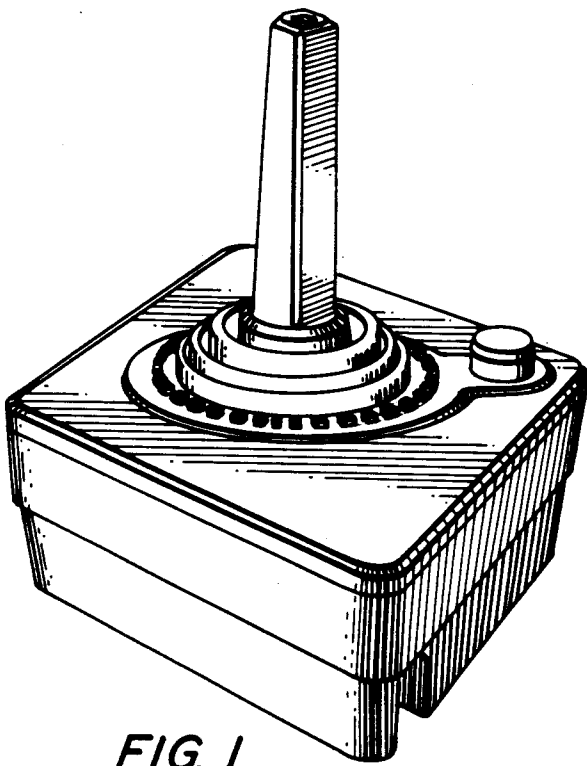


FIG. 1

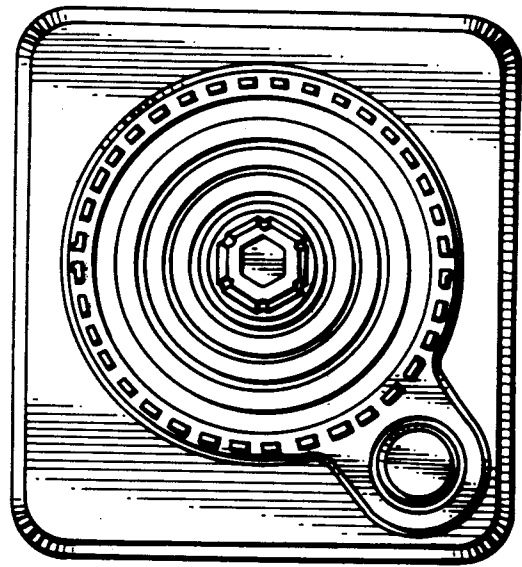


FIG. 2

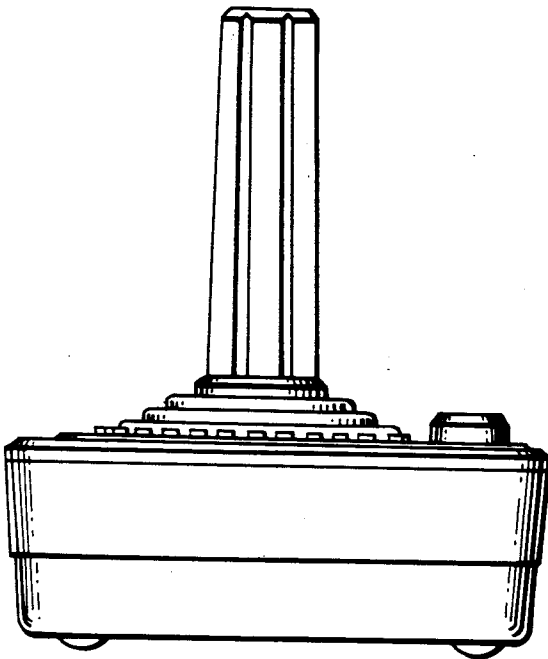


FIG. 3

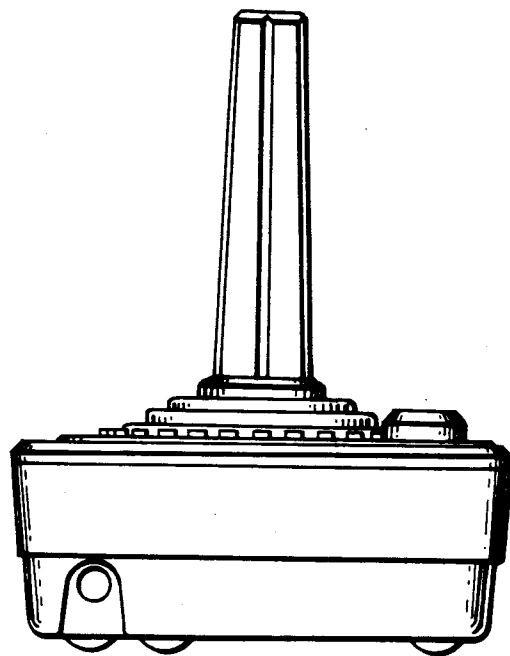


FIG. 4

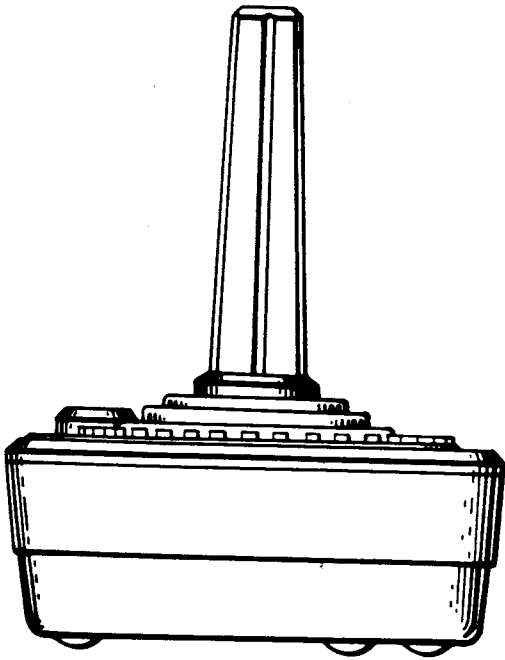


FIG. 5

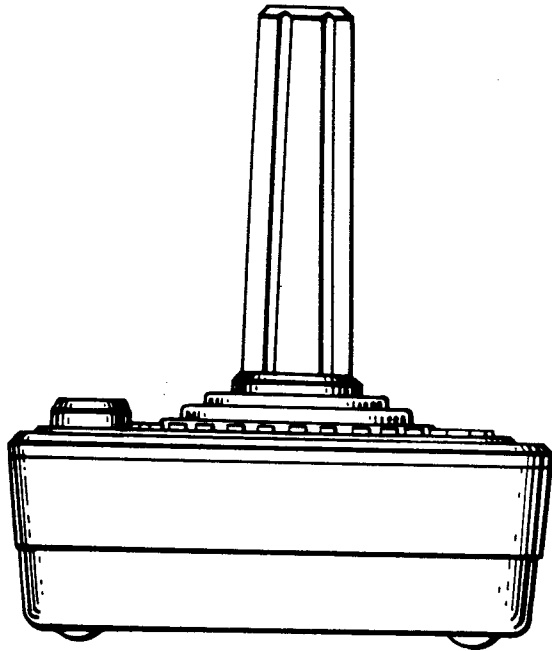


FIG. 6

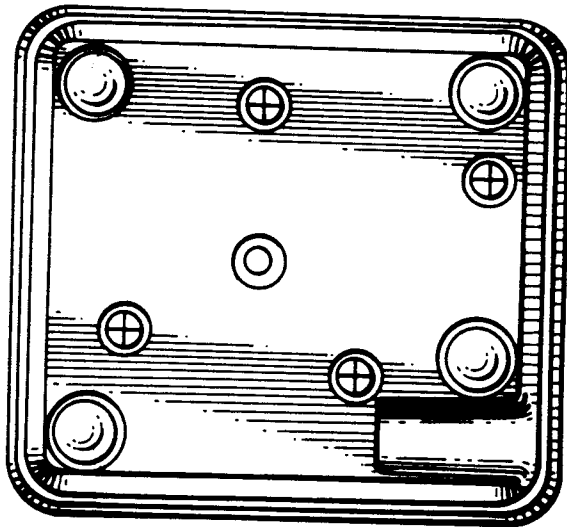


FIG. 7