

United States Patent [19]

McKinsey et al.

[11] **Des. 261,644**

[45] **** Nov. 3, 1981**

[54] **MEMORY MODULE HOUSING**

[75] Inventors: **Kevin P. McKinsey**, Scotts Valley;
James C. Asher, San Jose, both of Calif.

[73] Assignee: **Atari, Inc.**, Sunnyvale, Calif.

[**] Term: **14 Years**

[21] Appl. No.: **22,572**

[22] Filed: **Mar. 22, 1979**

[51] Int. Cl. **D14-01; D16-99**

[52] U.S. Cl. **D14/11**

[58] Field of Search **D3/35; 206/387; D14/11;**
242/199, 198, 197; 360/93, 132, 134; 174/52 R;
361/399

[56] **References Cited**

U.S. PATENT DOCUMENTS

- D. 212,619 11/1968 Merry et al. D14/11
- D. 230,891 3/1974 Muramatsu et al. D14/11

- D. 232,775 9/1974 Eloranta D14/11
- D. 248,470 7/1978 Talesfore D14/11
- 3,925,820 2/1976 Matsumoto D14/11 X
- 4,149,027 4/1979 Asher 174/52 R

Primary Examiner—Bernard Ansher
Attorney, Agent, or Firm—Townsend and Townsend

[57] **CLAIM**

The ornamental design for a memory module housing, as shown and described.

DESCRIPTION

FIG. 1 is a perspective view of a memory module housing, showing our new design;

FIG. 2 is a top plan view of the housing;

FIG. 3 is a front view of the housing;

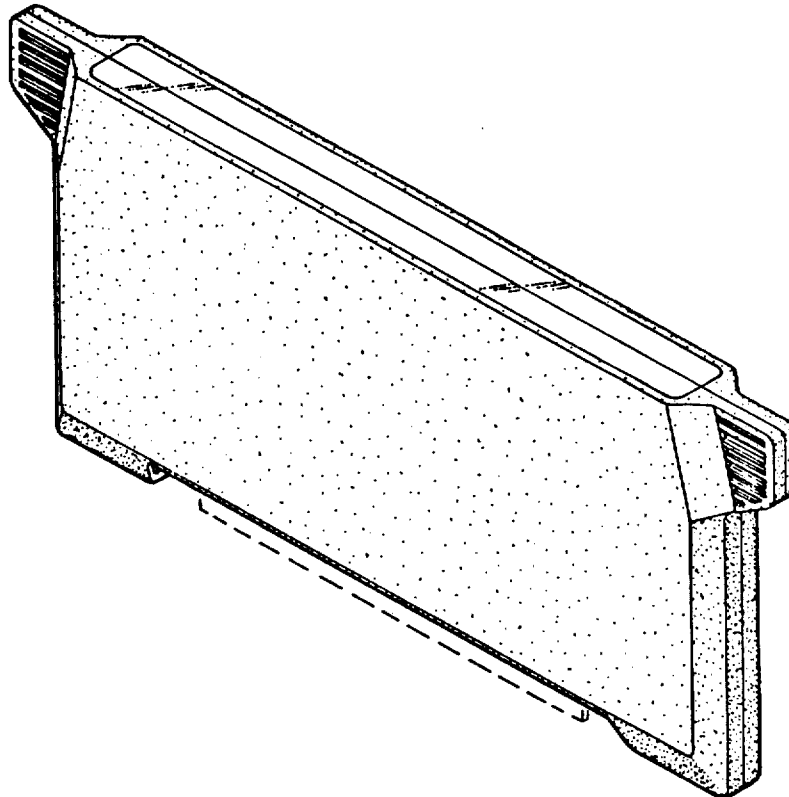
FIG. 4 is a right side view of the housing;

FIG. 5 is a rear view of the housing; and

FIG. 6 is a bottom plan view of the housing.

The left side view is a mirror image of the right side view of FIG. 4.

The broken lines are shown for illustrative purposes only.



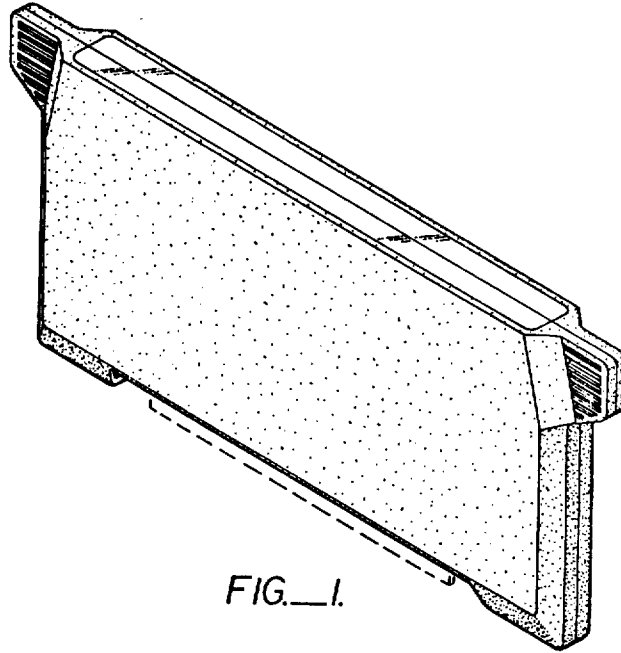


FIG. 1.

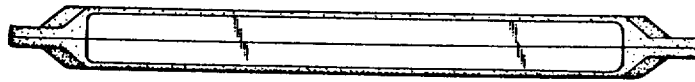


FIG. 2.

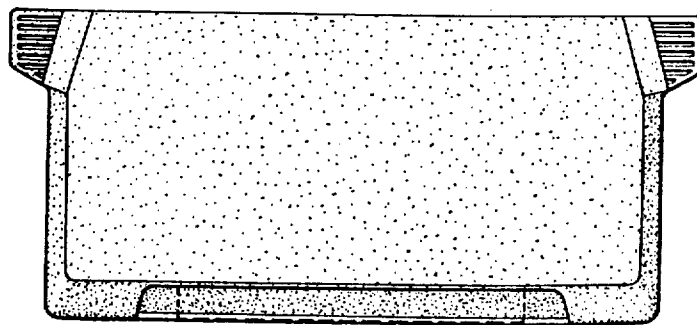


FIG. 3.



FIG. 4.

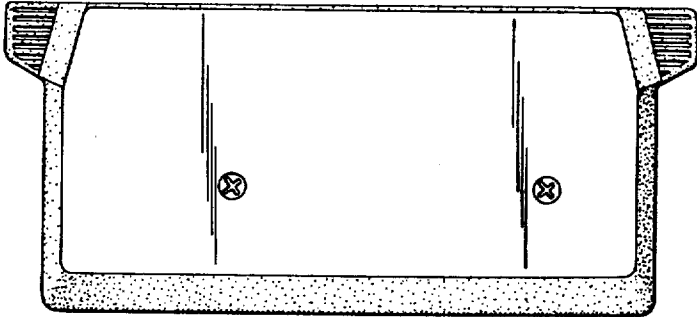


FIG. 5.



FIG. 6.