

[54] FLOPPY DISK HOUSING

[75] Inventors: Roy Nishi; Russ Farnell, both of San Jose, Calif.

[73] Assignee: Atari, Inc., Sunnyvale, Calif.

[**] Term: 14 Years

[21] Appl. No.: 22,570

[22] Filed: Mar. 22, 1979

[51] Int. Cl. D14-02

[52] U.S. Cl. D14/109

[58] Field of Search D14/40-50; 364/900; 361/331, 334, 346, 347, 380, 390; D13/40, 41; 174/52 R, 50

[56] References Cited

U.S. PATENT DOCUMENTS

4,090,632 5/1978 Katzmann et al. 174/52 R X

OTHER PUBLICATIONS

Byte, 11-1977, p. 133, MS1 Floppy Disk enclosure.

GTE Information Systems Catalog, 1975, p. 14, Series 2240, 2400 Band Modem.

Racal Instruments Limited, Catalog, 1976, Cover, Meter Housing.

Primary Examiner—Susan J. Lucas
Attorney, Agent, or Firm—Townsend and Townsend

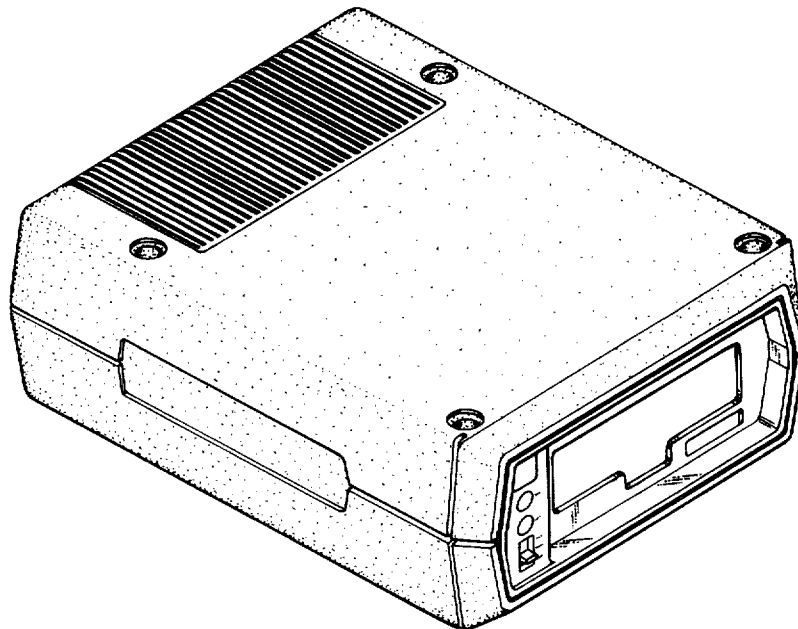
[57] CLAIM

The ornamental design for a floppy disk housing, as shown and described.

DESCRIPTION

FIG. 1 is a perspective view of a floppy disk housing, showing our new design; FIG. 2 is a bottom view of the housing on an enlarged scale; FIG. 3 is a front view of the housing on an enlarged scale; FIG. 4 is a right side view of the housing on an enlarged scale; and FIG. 5 is a rear view of the housing on an enlarged scale.

The top view is a mirror image of the bottom view of FIG. 2; and the left side view is a mirror image of the right side view of FIG. 4.



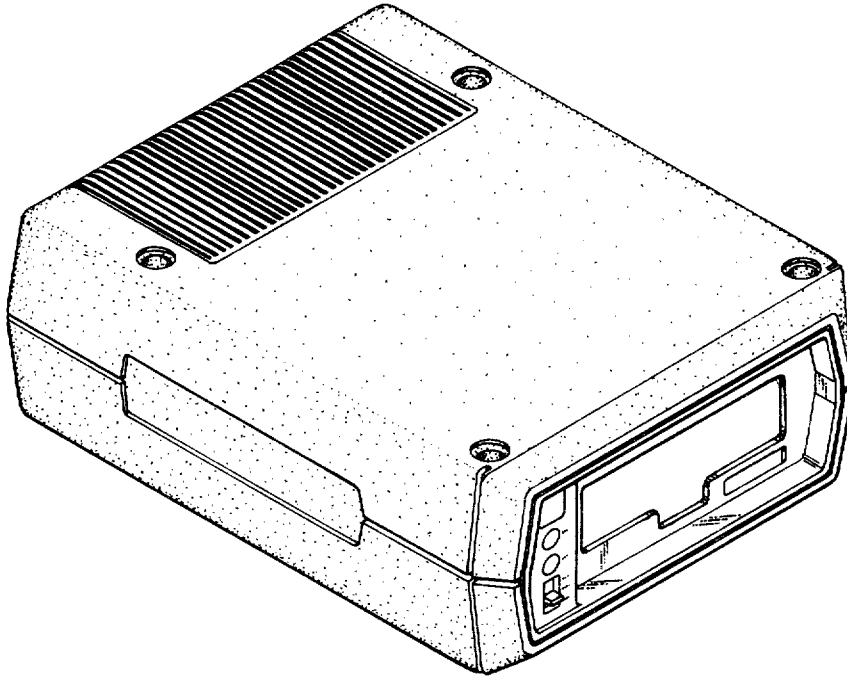


FIG. 1.

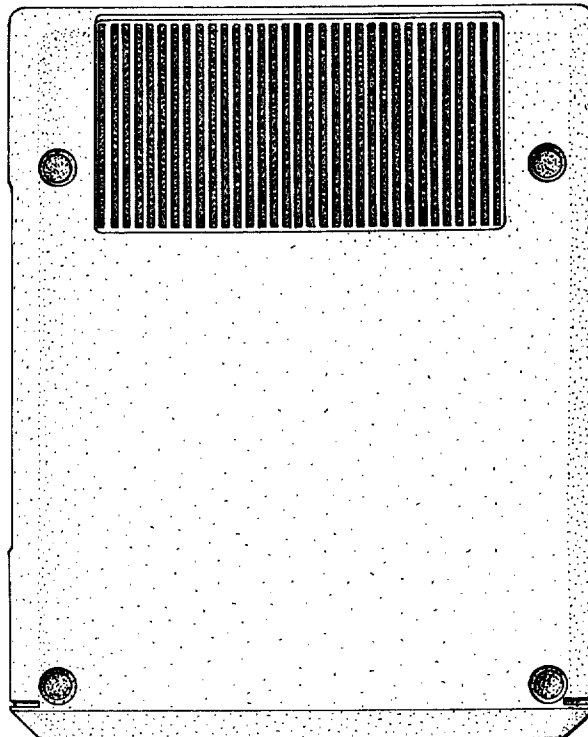


FIG. 2.

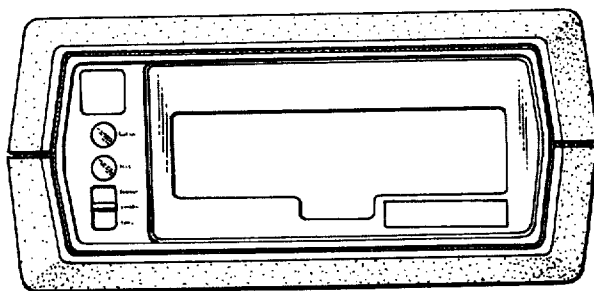


FIG. 3.

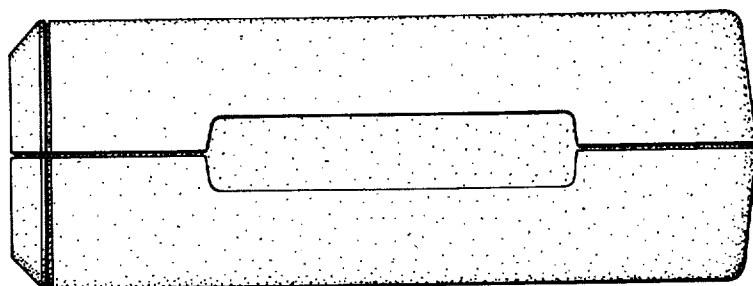


FIG. 4.

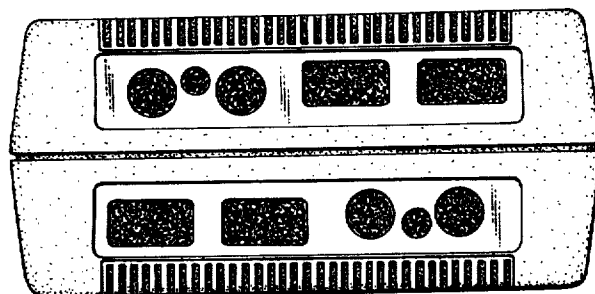


FIG. 5.