



US00D355879S

United States Patent [19]

[11] Patent Number: Des. 355,879

Winblad

[45] Date of Patent: ** Feb. 28, 1995

[54] STEERING WHEEL CONFIGURATION

[75] Inventor: Wade O. Winblad, Hayward, Calif.

[73] Assignee: Atari Games Corporation, Milpitas, Calif.

[**] Term: 14 Years

[21] Appl. No.: 1,833

[22] Filed: Nov. 20, 1992

4,713,007	12/1987	Alban	434/46
4,716,458	12/1987	Heitzman et al.	358/103
4,728,122	3/1988	Wright	74/608
4,750,888	6/1988	Allard et al.	434/46
4,940,234	7/1990	Ishida et al.	273/1 GA
4,960,117	10/1990	Moncrief et al.	273/148 B
5,044,956	9/1991	Behensky et al.	434/45

OTHER PUBLICATIONS

Atari Games Corporation, "Hard Drivin" brochure, 1988.

Atari Games Corporation, "Hard Drivin" Operator's Manual, 1989, pp. ii, 1-4, and 1-5.

Primary Examiner—Wallace R. Burke

Assistant Examiner—M. Brown

Attorney, Agent, or Firm—Knobbe, Martens, Olson & Bear

Related U.S. Application Data

[63] Continuation-in-part of Ser. No. 888,375, May 22, 1992.

[52] U.S. Cl. D12/176

[58] Field of Search D12/176, 175; D21/48; 74/552, 608; 434/69

[56] References Cited

U.S. PATENT DOCUMENTS

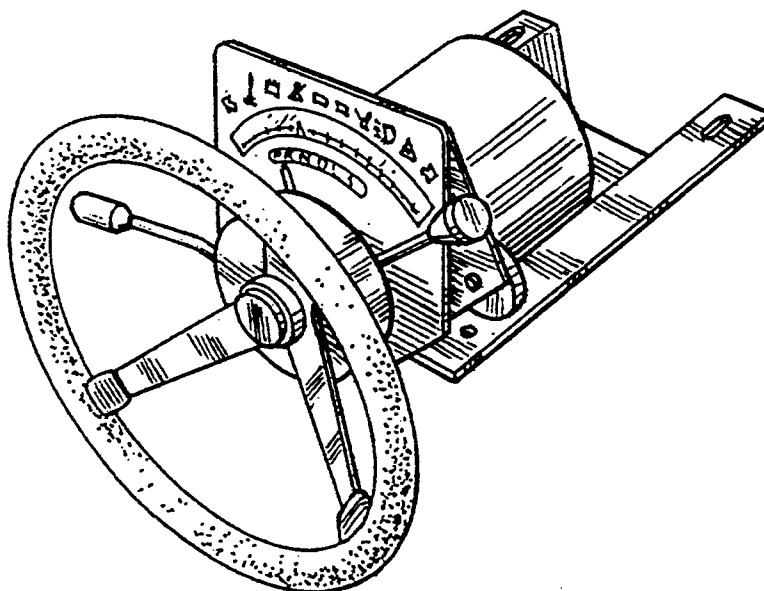
D. 114,266	4/1939	Hoover	D12/176
D. 167,604	9/1952	Baldwin	D12/176
D. 241,133	8/1976	Gonzalez	D12/176
D. 245,839	9/1977	Spurgen	D12/176
D. 321,497	11/1991	Whitley, II	D12/176
D. 326,253	5/1992	Frietze	D12/176
3,193,946	7/1965	Patuano	35/11 R
3,936,955	2/1976	Gruen et al.	35/11 R
4,044,624	8/1977	Dekker	74/552
4,208,833	6/1980	Wolf	46/240
4,650,438	3/1987	Ajiro	446/136

[57] CLAIM

The ornamental design for a steering wheel configuration, as shown.

DESCRIPTION

FIG. 1 is a front perspective view of my new steering wheel configuration;
 FIG. 2 is a front elevational view thereof;
 FIG. 3 is a right, side elevational view thereof;
 FIG. 4 is a left, side elevational view thereof;
 FIG. 5 is a top plan view thereof;
 FIG. 6 is a bottom plan view thereof; and,
 FIG. 7 is a rear view thereof.



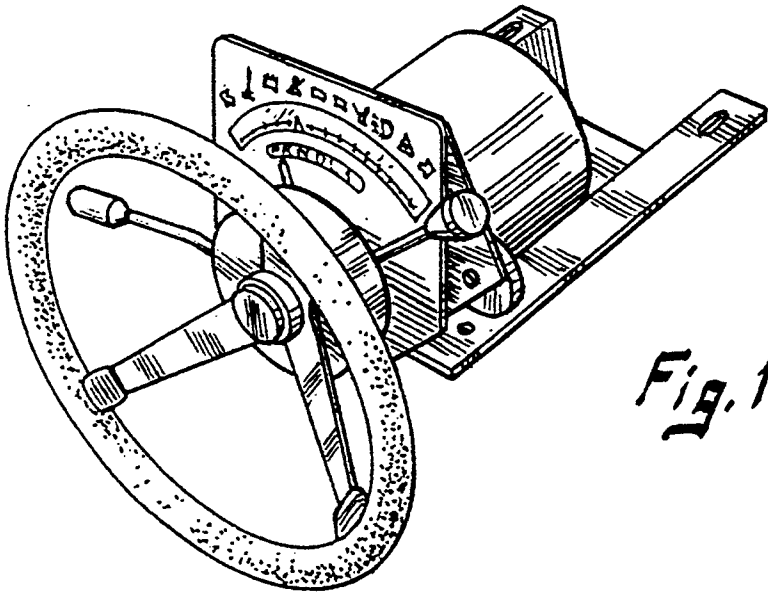


Fig. 1

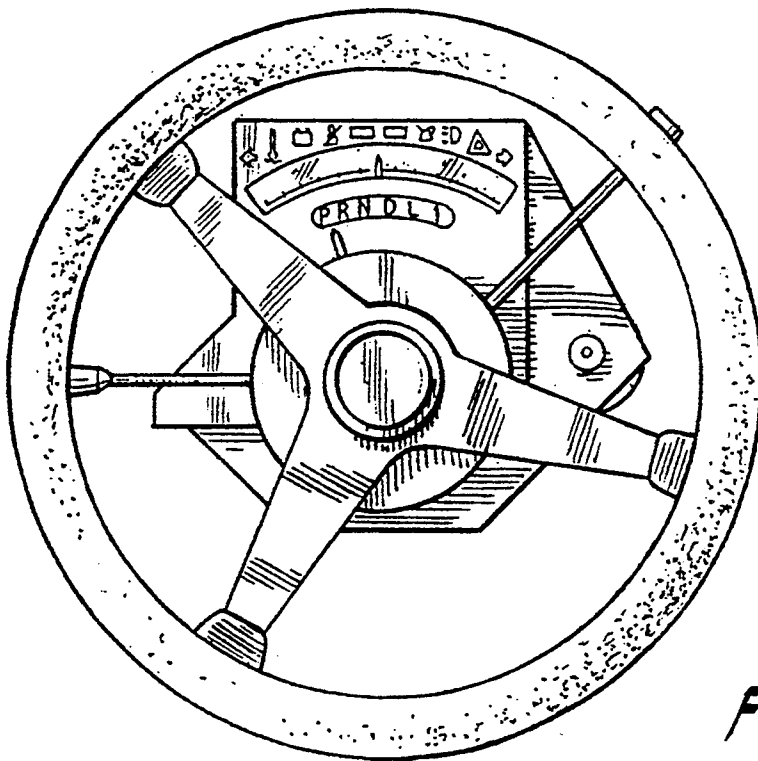
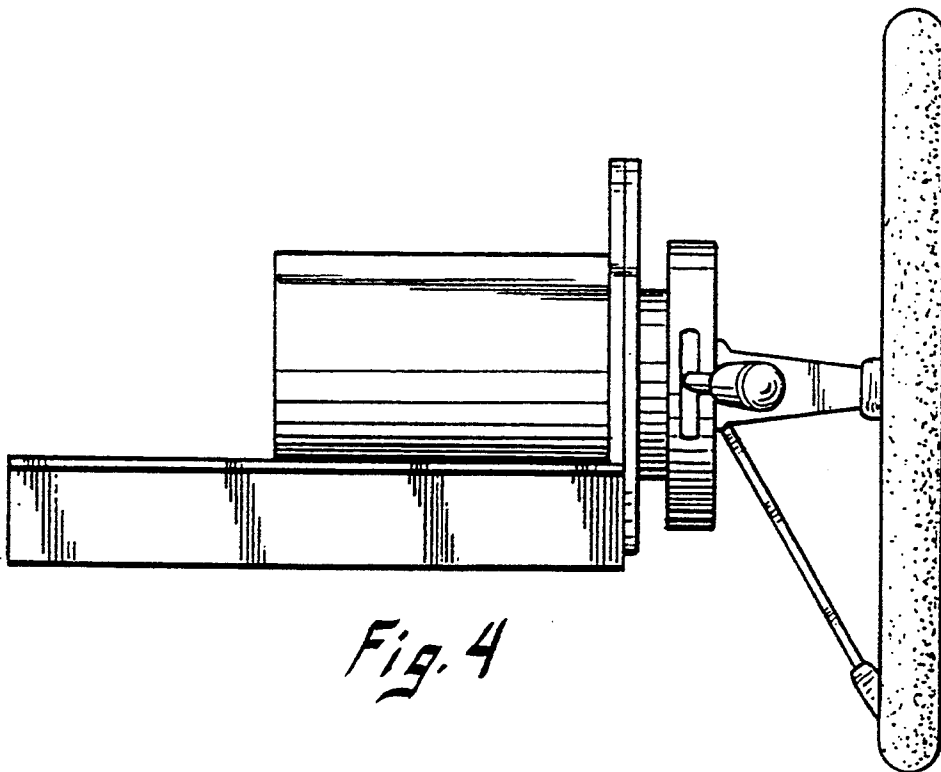
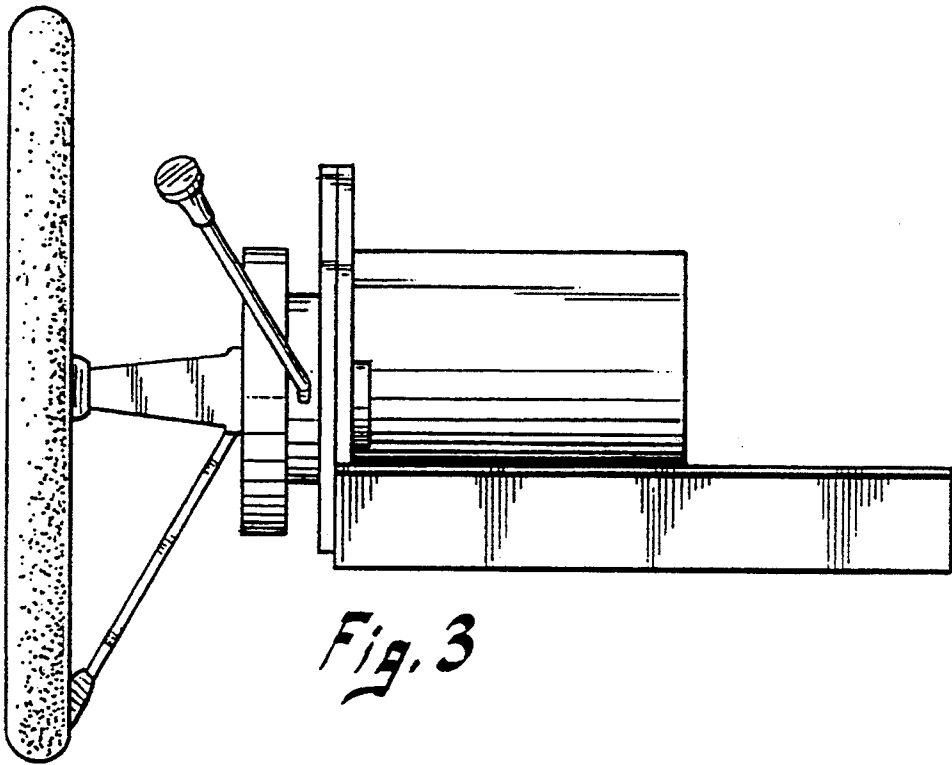
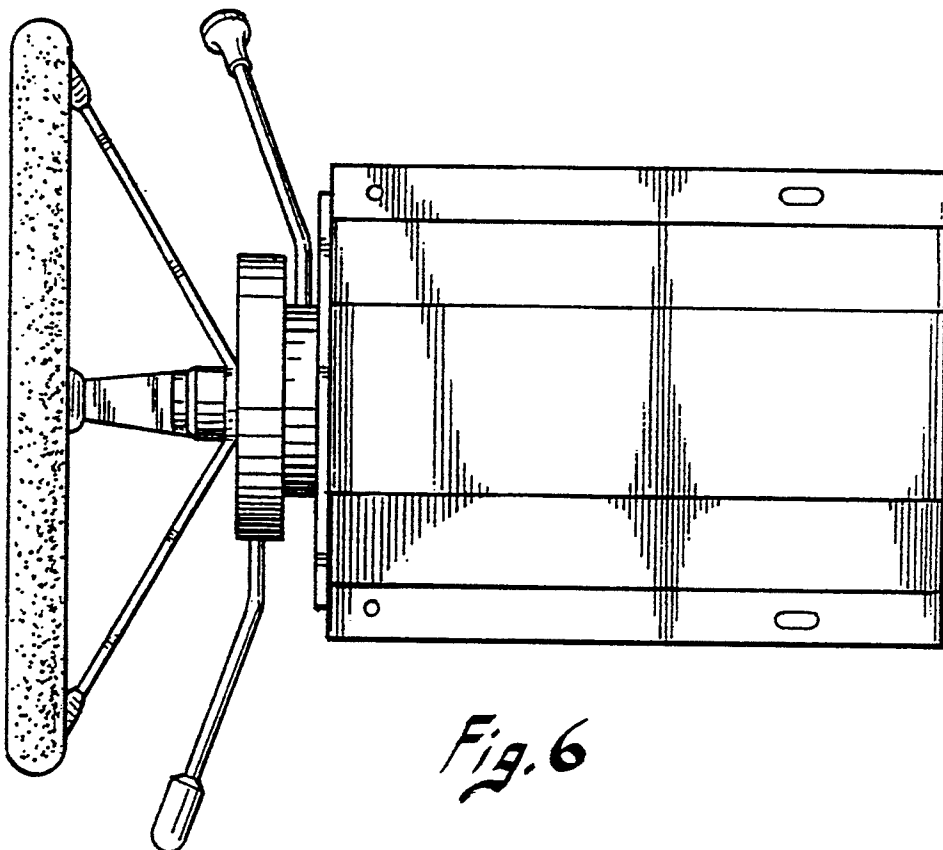
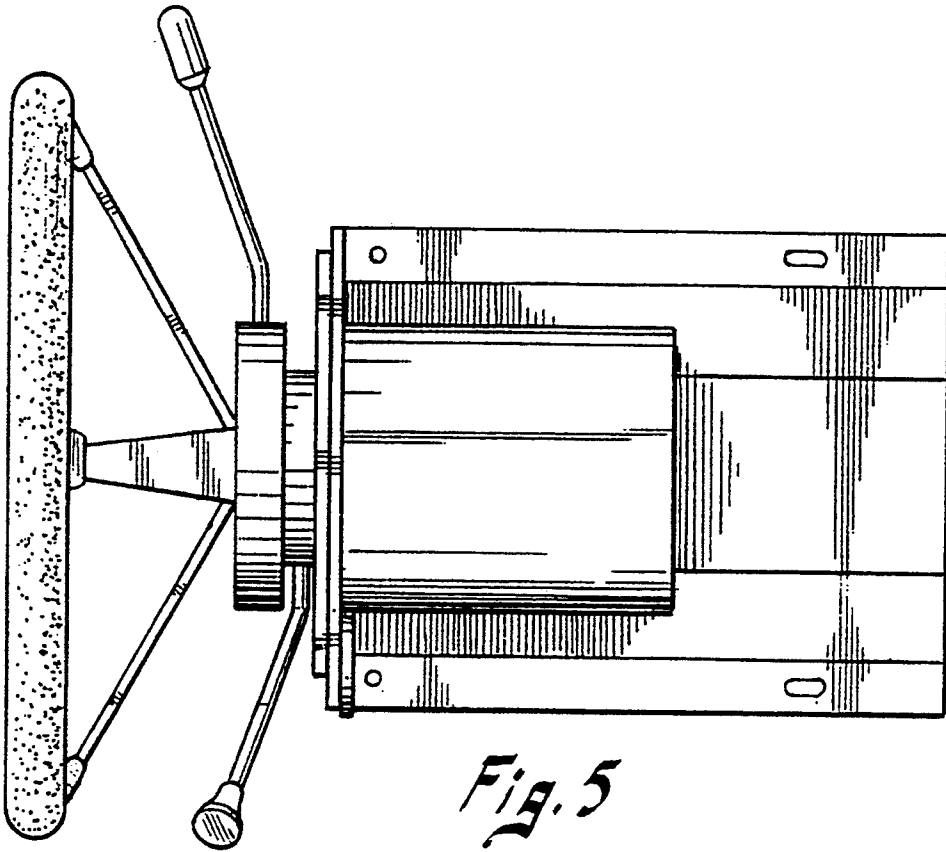


Fig. 2





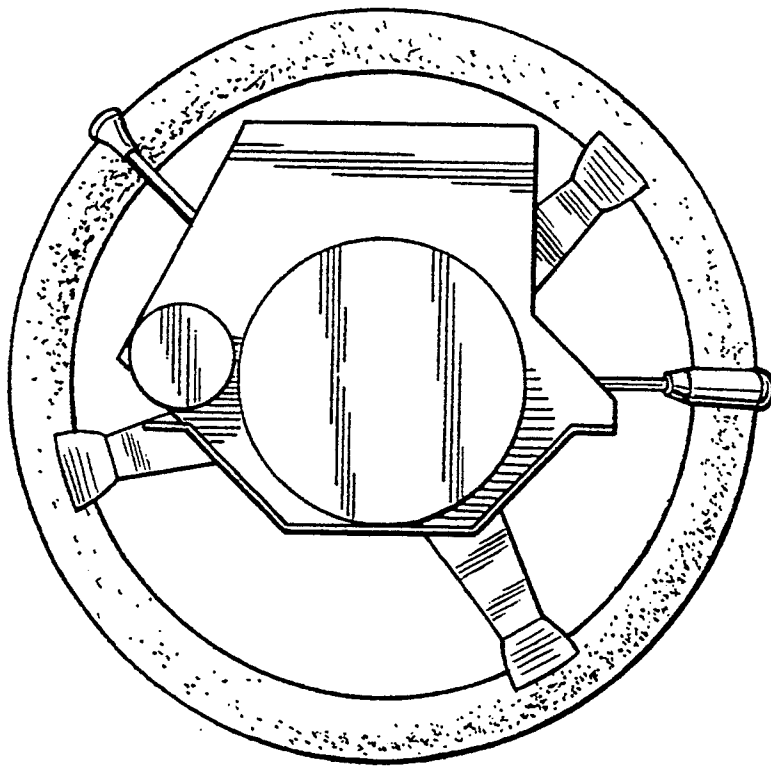


Fig. 7