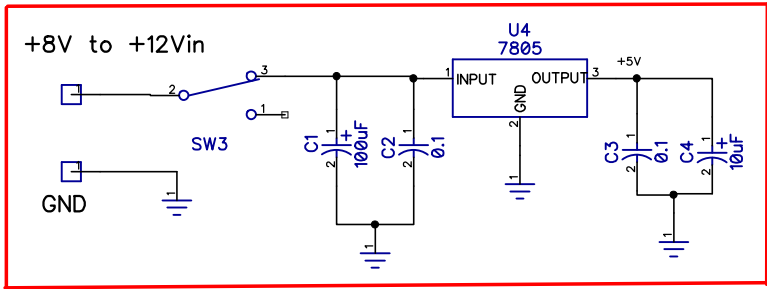
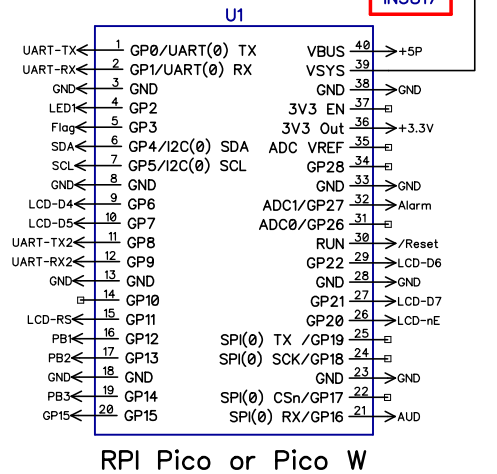


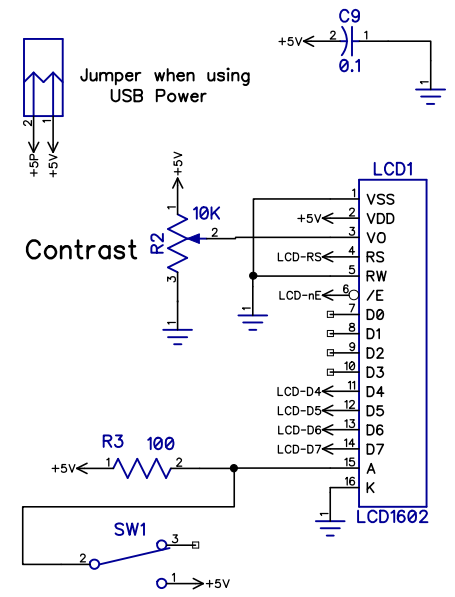
Not stuffed when using USB Power



+5V ←



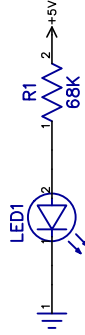
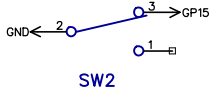
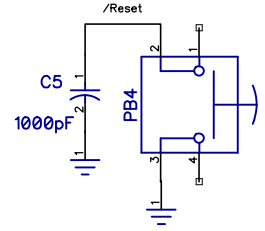
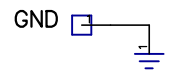
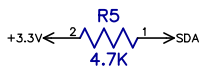
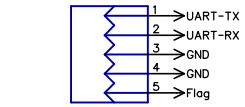
Not stuffed when using USB Power



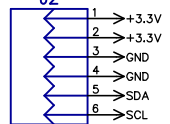
B

B

UART



BME-280



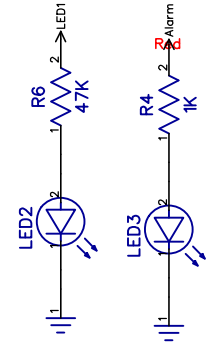
To use a 6-pin BME-280 board

/CS = VCC

SDO = GND

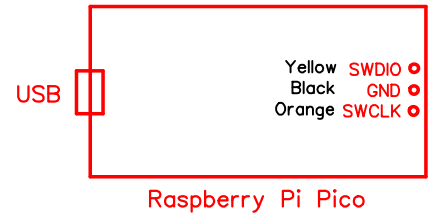
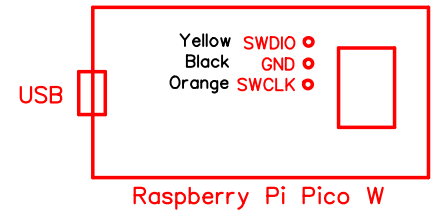
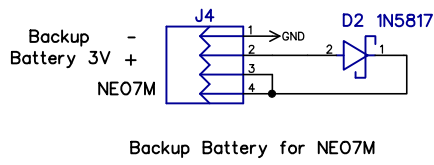
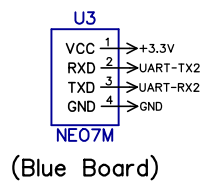
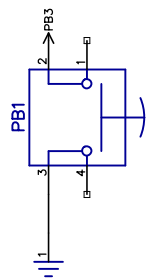
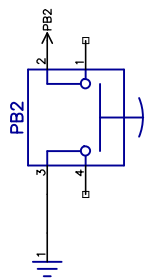
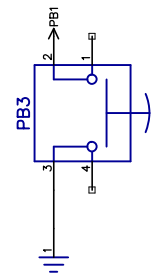
SCLK = SCL

SDIN = SDA



A

A

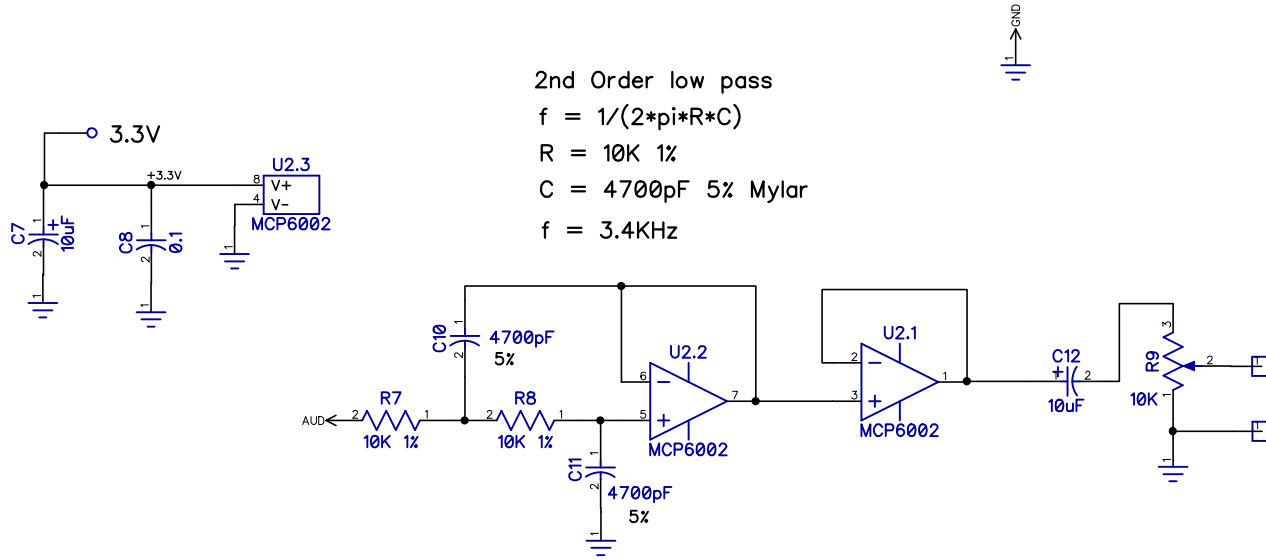


2

1

B

B



2nd Order low pass

$$f = 1/(2*\pi*R*C)$$

$$R = 10K \ 1\%$$

$$C = 4700pF \ 5\% \ \text{Mylar}$$

$$f = 3.4KHz$$

For PWM Output

Raspberry Pi Pico/W
 pico-gps-r3
 Sheet 2 of 2
 (C) Jed Margolin 2024

2

1

A

A