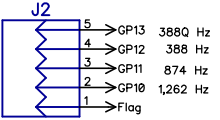
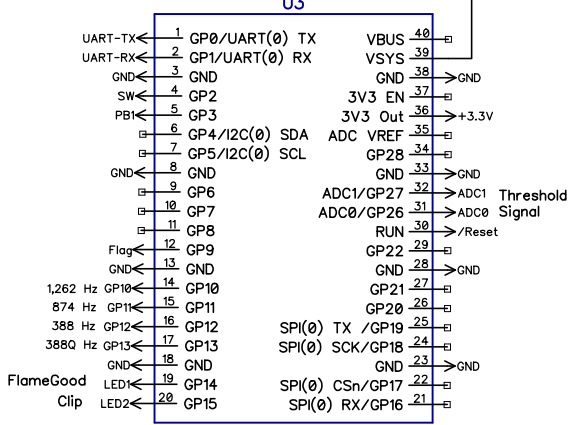


1,262 Hz is $90,909.1/72 = 1,262.6263889$ Hz
 874 Hz is $90,909.1/104 = 874.1259615$ Hz
 388 Hz is $90,909.1/234 = 388.5004274$ Hz

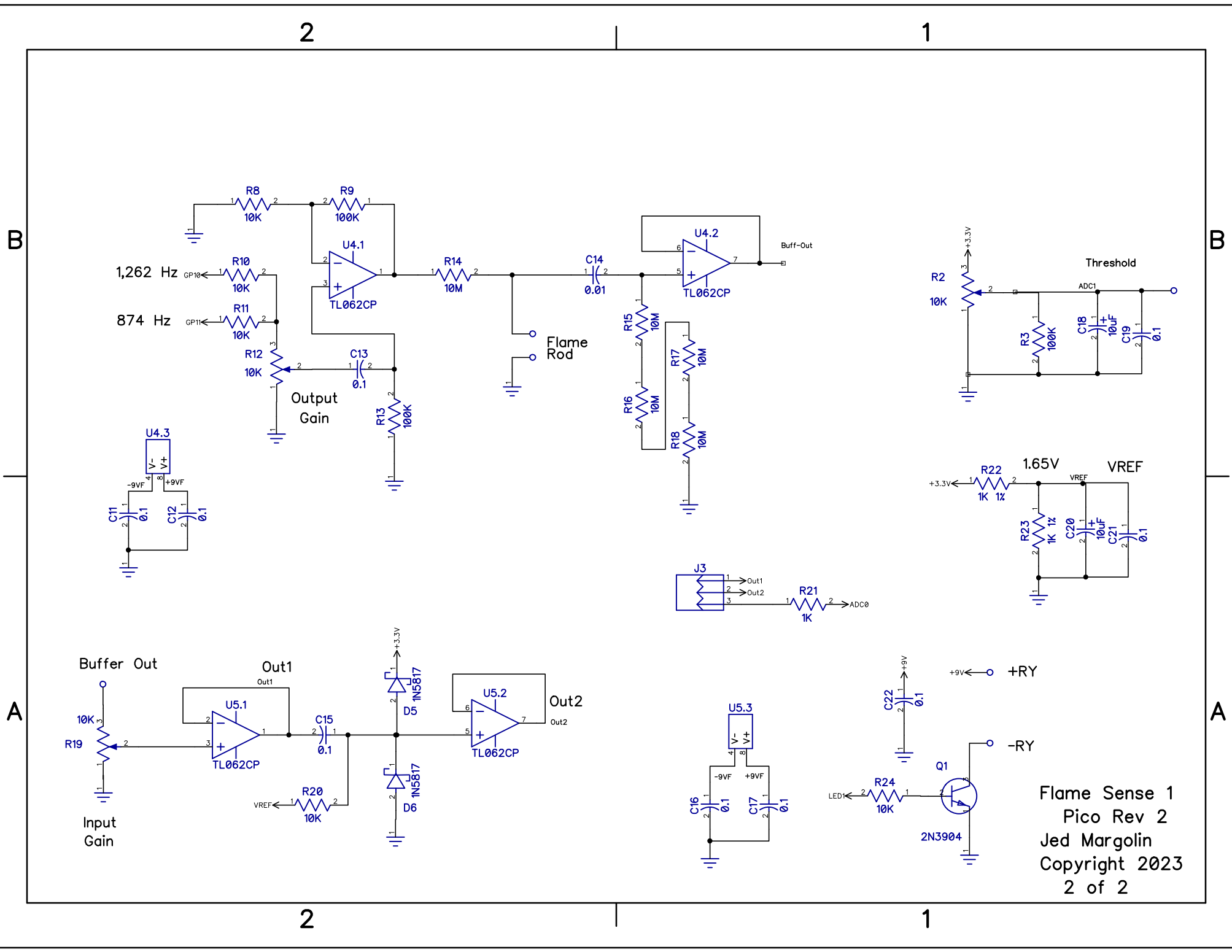


(For Testing)



RPI Pico or Pico W

Flame Sense 1
 Pico Rev 2
 Jed Margolin
 Copyright 2023
 1 of 2



Flame Sense 1
 Pico Rev 2
 Jed Margolin
 Copyright 2023
 2 of 2